

FUTURA ECONO 250-350 SPECIFICATION SHEET

Futura Econo

Futura Econo is a steel, one function boiler. Equipped with an automatic fuel feed system and tubular heat exchanger.

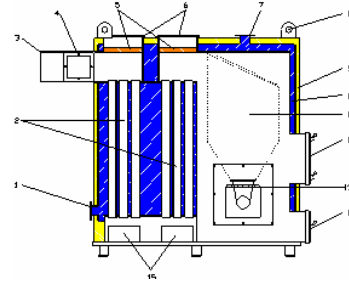
FUEL

Can be used coal with low and medium coking capacities. We do not recommend the use of coal type 33 (coking) and type 34 (strongly coking). Also, the use of other fuels such as brown coal is prohibited. Any type of coal used should have a diameter of 8-25 mm.

TABELA SPECIFICATIONS

BOILER CONSTRUCTION

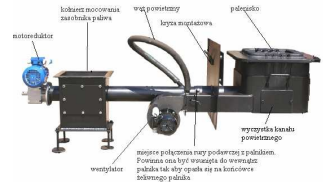
Model kotła		Futura Econo	
Power range	Coal 8-25mm	kW	100-250 150-350
Heat exchange surface		m ²	27,4 34
Efficiency		%	85-87%
Water capacity		dm ³	1575 1830
Max working pressure		bar	2 2
Min. outlet temperature		°C	55 55
Max. Outlet temperature		°C	90 90
Fluegases temperature at nominal		°C	140-220 140-220
Fluegases temperature at minimal		°C	100-130 100-130
Water-side resistance; Δt=10K		mbar	2-20 2-20
Water-side resistance; Δt=20K			0,5-5 0,5-5
Chimney pressure		Pa	25-30 25-30
Recommended chimney height		m	10 10
Recommended chimney section		cm ²	1500 1500
Fuel tank capacity		dm ³	750(or an individual order)
Fuel consumption at nominal power	Coal 8-25 mm 26MJ/kg	kg/h	40,3 kg/h 56,4
Power consumption		kW	0,55-0,80 0,55-0,80



1. Blowdown connection
2. Smoke tubes
3. Flue outlet
4. Cleaning hole
5. Ceramic elements
6. Upper cleaning hole
7. Outlet connection
8. Transport handles
9. Thermal insulation (mineral wool)
10. Water coat
11. Fuel tank
12. Combustion chambers door
13. Retort burner
14. Ash door
15. Lower cleaning hole

Burners

In models 250 and 350 kW are installed elements retort burners



AUTOMATION

Standard RK 2006 L Supports domestic hot water and central heating and cooperates with a room thermostat.

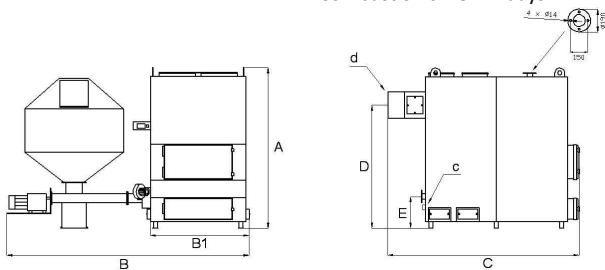
Optional Controller Ecomax 250R. Supports domestic hot water and central heating and cooperates with a room.

Optional Controller Ecomax 800R Supports domestic hot water and central heating, mixer and mixer pump. Cooperates with a room thermostat.

ADVANTAGES THE BOILER

- Automatic combustion
- High-quality parts
- Expandable automation
- The simple installation
- Combustion time 2-7 days

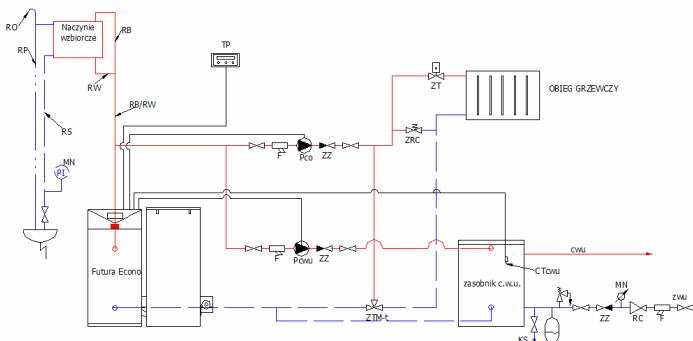
Futura Econo 250, 350



DIMENSIONS OF BOILER

Futura Econo	200-250	300-350
A	2150	2500
B1	1750	1750
B	3000	3700
C	2900	2900
D	1590	1940
E	440	440
F	350	350
a	rys.	rys.
b	rys.	rys.
c	GW 3/4"	GW 3/4"
d	315x510	315x510

Installation diagram central heating the mixing pump



Installation diagram domestic hot water and central heating thermostatic valve

